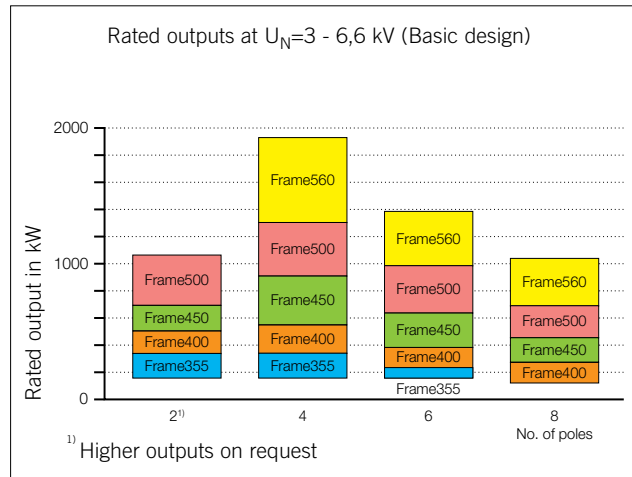


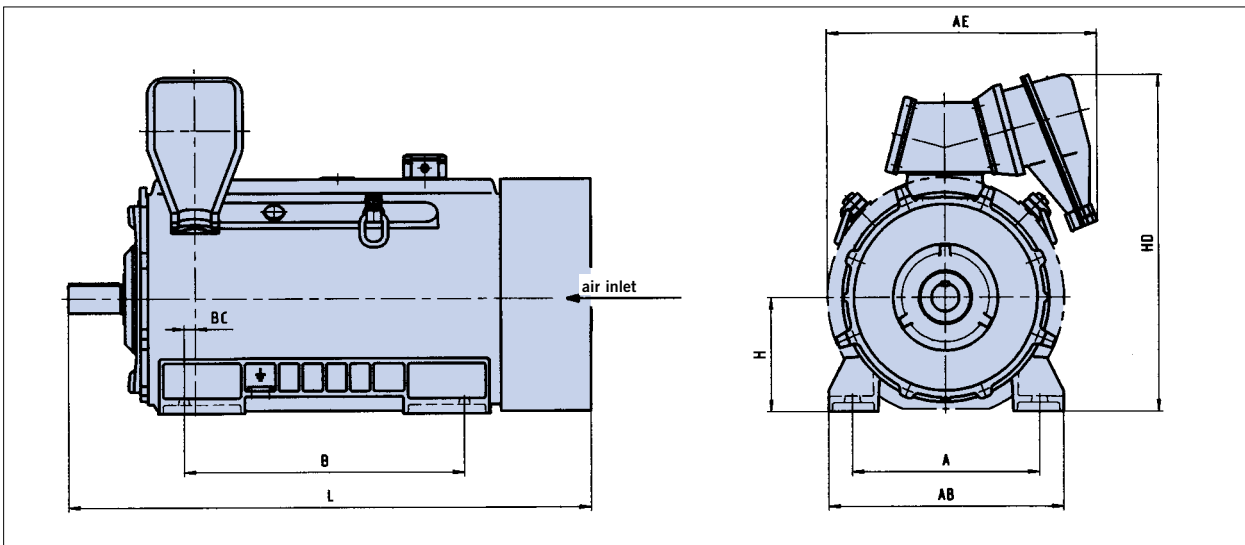
Technical data, main dimensions

Design

- To relevant standards: IEC, VDE, DIN, ISO, EN
- Degree of protection IP55, cooling IC411
- Non Sparking to EN 60079-15
- Type of protection Exe to EN 60079-7
- Rated voltages from 2 to 11 kV
- Rated frequency 50 or 60 Hz
- Number of poles 2p=2 to 8 (higher number of poles on request)
- Construction IMB3 and IMV1 (others on request)



Main dimensions at: 6kV, IMB3, Anti-friction bearings



Dimensions in mm									
Frame Size	No. of poles	A	AB	AE	B	BC	H	HD	L
355	2-8	610	730	870	900	70	355	1107	1785
400	2-8	686	810	950	1000	75	400	1207	1871
450	2-8	750	940	1080	1120	45	450	1327	2091
500	2 ¹⁾ -8	850	1050	1140	1250	93	500	1435	2420
560	4-8	950	1160	1190	1400	93	560	1553	2645

¹⁾ 2p=2 with sleeve bearings only

